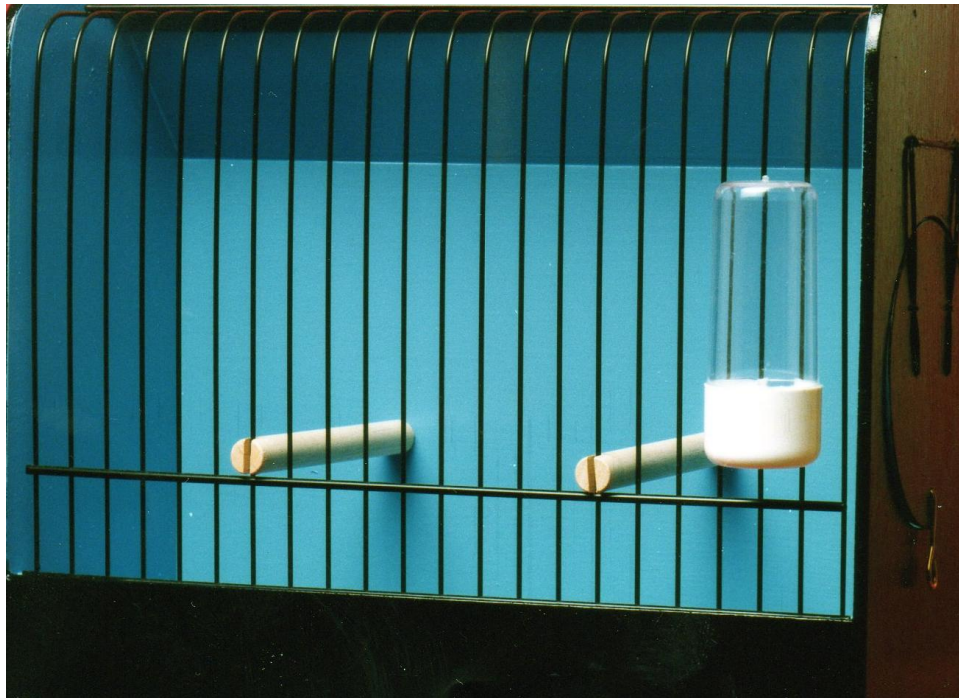




NATIONAL COLORBRED ASSOCIATION

CAGE SPECIFICATIONS



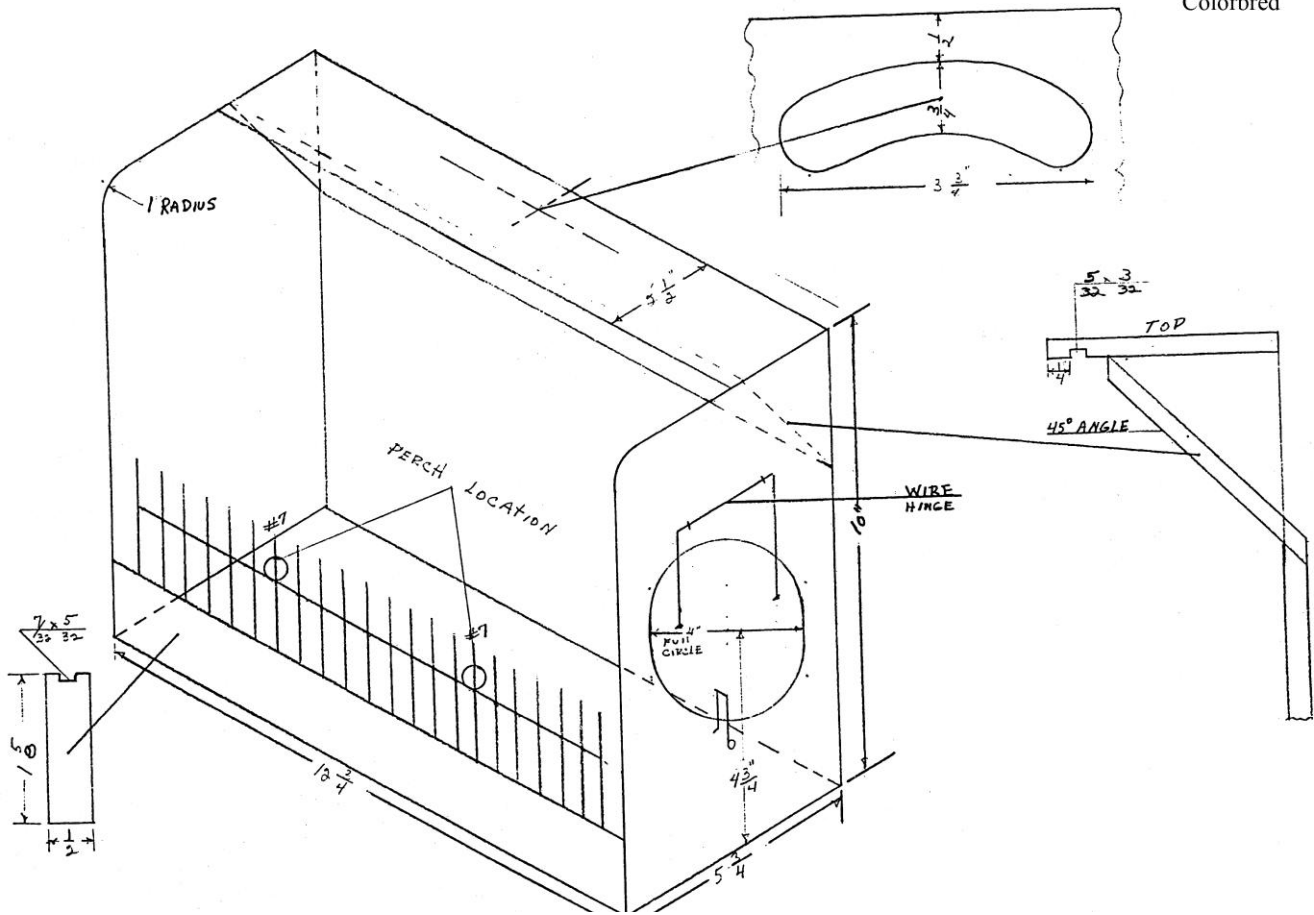
Exterior paint - Sherwin-Williams #2126 Tricorn Black
Interior paint- Sherwin-Williams #1782 Bold Blue



NATIONAL COLORBRED ASSOCIATION

CAGE SPECIFICATIONS

Colorbred





NATIONAL COLORBRED ASSOCIATION

CAGE SPECIFICATIONS

Paint Colors

Inside - Sherwin Williams #SW1782 - Bold Blue
Outside - Sherwin Williams #SW2126 Tricorn Black

There are 22 vertical wires - 1/16th inch in diameter
There are 4 horizontal wires - 1/8th inch in diameter

The drinker is placed between the 2nd and 3rd wires on the right of the front of the cage.

The show tag is placed on the 2nd wire on the left of the front of the show cage.